

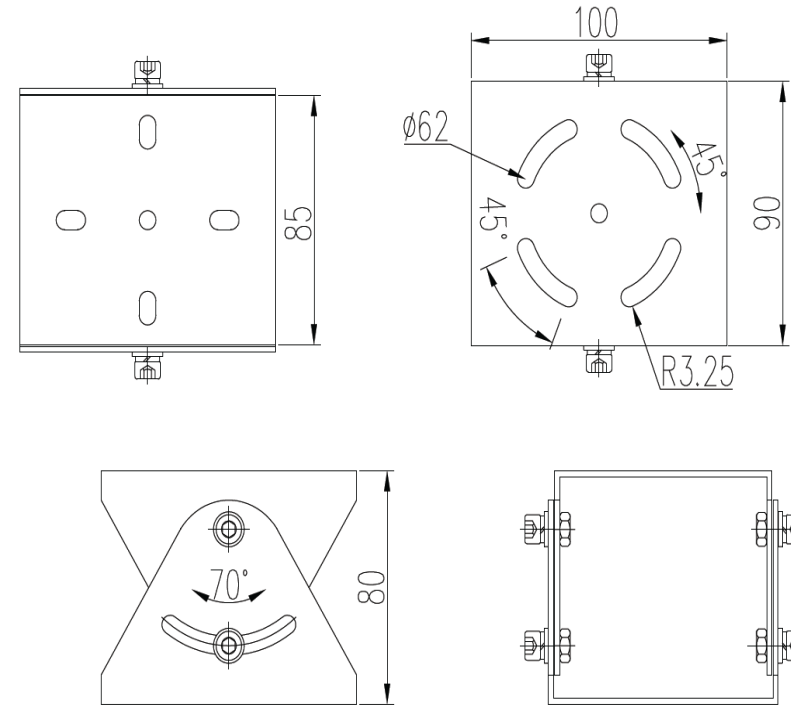
# Explosion-proof accessories

# DH-ZAZ100W

Image:



Size:



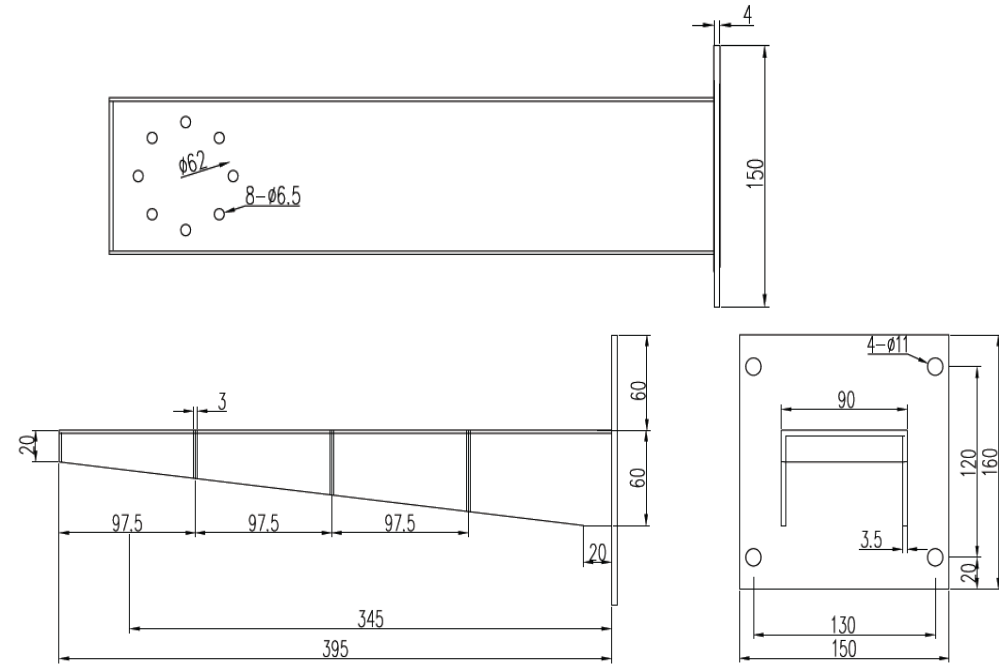
<b>Model</b>	<b>DH-ZAZ100W</b>
<b>Stainless steel joint</b>	
<b>General</b>	<b>For EPC230U</b>
<b>Material</b>	<b>304</b>
<b>Product size</b>	<b>100mm×90mm×80mm</b>
<b>Package size</b>	<b>290mm×290mm×170mm(4pcs)</b>
<b>Weight</b>	<b>0.5kg(net weight)</b>
<b>Installation</b>	<b>Wall mount , used it with DH-EXB100</b>
<b>Working condition</b>	<b>Temperature: -40~60°C; RH &lt; 95%</b>

# DH-EXB100

Image:



Size:



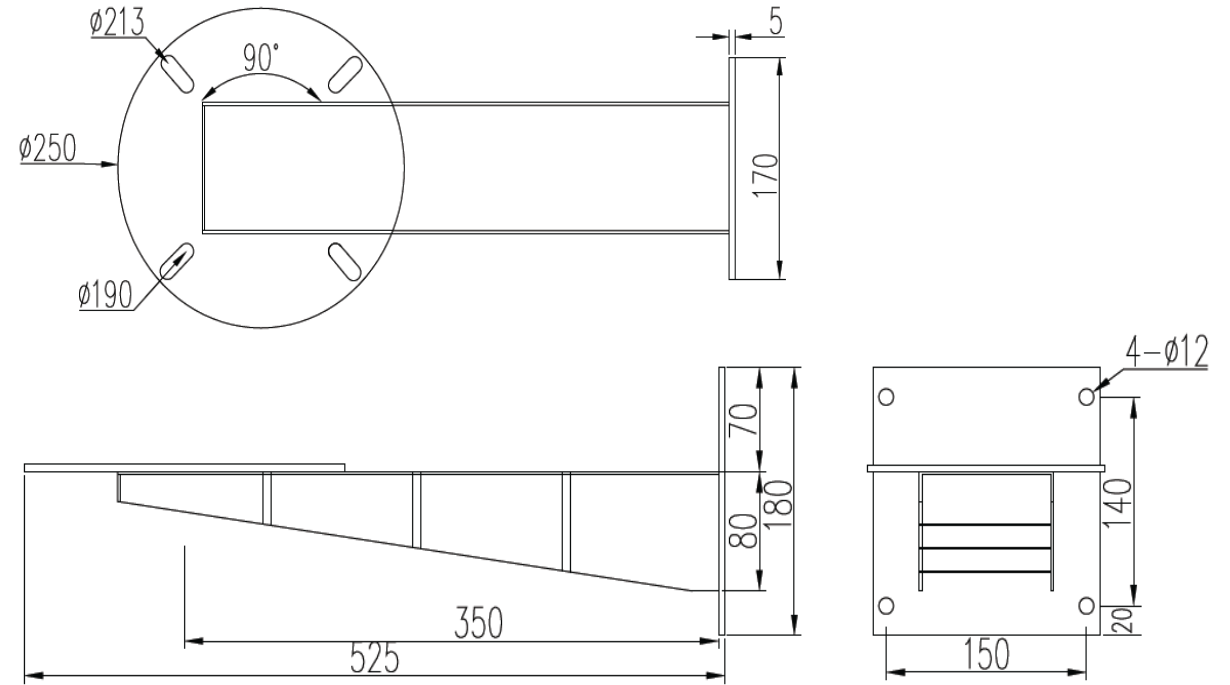
<b>Model</b>	<b>DH-EXB100</b>
<b>Wall mount bracket</b>	
<b>General</b>	<b>For EPC230U</b>
<b>Material</b>	<b>304</b>
<b>Product size</b>	<b>150mm×160mm×395mm</b>
<b>Package size</b>	<b>180mm×170mm×440mm (360mm×360mm×470mm 4pcs)</b>
<b>Weight</b>	<b>1.6kg(net weight)</b>
<b>Installation</b>	<b>Wall mount , used it with DH-ZAZ100W</b>
<b>Working condition</b>	<b>Temperature: -40~60°C; RH &lt; 95%</b>

# DH-ZAZ660B

Image:



Size:



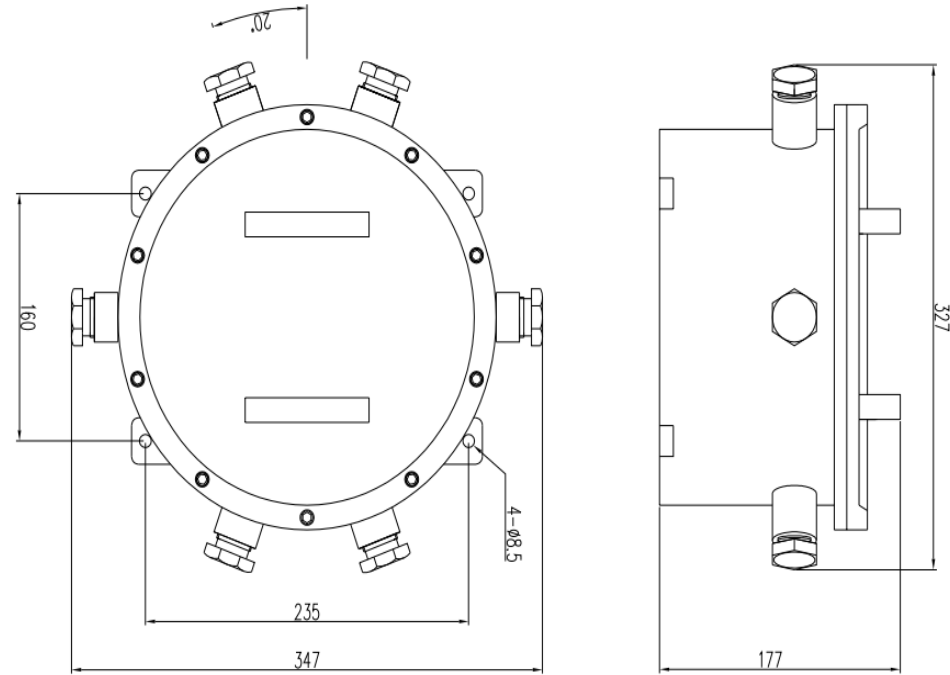
<b>Model</b>	<b>DH-ZAZ660B</b>
	<b>Wall mount bracket</b>
<b>General</b>	<b>optional wall mount bracket for EPC230U-PTZ(-IR)</b>
<b>Material</b>	<b>316L</b>
<b>Product size</b>	<b>180mm×170mm×525mm</b>
<b>Package size</b>	<b>210mm×210mm×530mm</b>
<b>Weight</b>	<b>5.5kg(net weight) , load bearing 100KG</b>
<b>Installation</b>	<b>Wall mount</b>
<b>Working condition</b>	<b>Temperature: -40~60°C; RH &lt; 95%</b>

# DH-ZAJ300

Image:



Size:



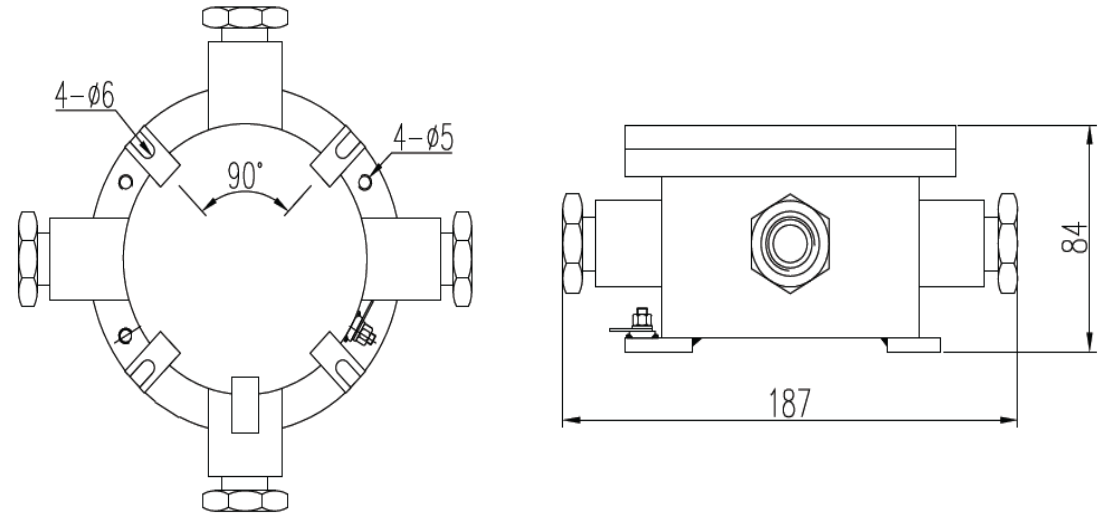
<b>Model</b>	<b>DH-ZAJ300</b>
	<b>Ex-proof junction box</b>
<b>General</b>	<b>For EPC230U, EPC230U-PTZ(-IR)</b>
<b>Material</b>	<b>304/316L</b>
<b>Product size</b>	<b>φ347mm×177mm</b>
<b>Package size</b>	<b>450mm×430mm×260mm</b>
<b>Weight</b>	<b>14.7kg (net weight)</b>
<b>Installation</b>	<b>Wall mount</b>
<b>Working condition</b>	<b>Temperature: -40~60°C; RH &lt; 95%</b>

# DH-ZA-JXD4

Image:



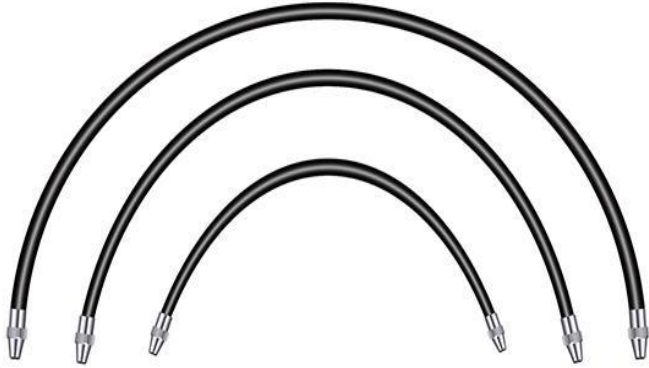
Size:



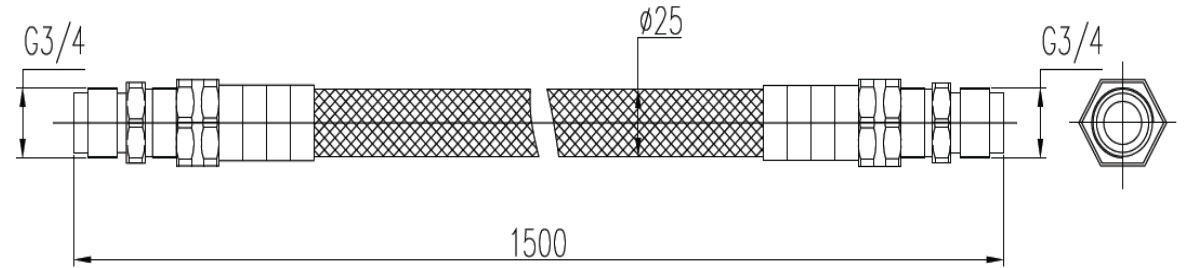
<b>Model</b>	<b>DH-ZA-JXD4</b>
	<b>Ex-proof junction box</b>
<b>General</b>	<b>For EPC230U, EPC230U-PTZ(-IR)</b>
<b>Material</b>	<b>316L/304</b>
<b>Product size</b>	<b>φ187mm×84mm</b>
<b>Package size</b>	<b>290mm×290mm×170mm</b>
<b>Weight</b>	<b>3.2kg(net weight)</b>
<b>Installation</b>	<b>Wall mount</b>
<b>Working condition</b>	<b>Temperature: -40~60°C; RH &lt; 95%</b>

# DH-GE1500

Image:



Size:



<b>Model</b>	<b>DH-GE1500 (1.5M)</b>
<b>Ex-proof flexible tube</b>	
<b>General</b>	<b>For EPC230U, EPC230U-PTZ(-IR)</b>
<b>Material</b>	<b>316L</b>
<b>Product size</b>	<b>1.5M</b>
<b>Package size</b>	<b>290mm×290mm×170mm</b>
<b>Weight</b>	<b>1.5kg(net weight)</b>
<b>Working condition</b>	<b>Temperature: -40~60°C; RH &lt; 95%</b>

# Anti-corrosion accessories

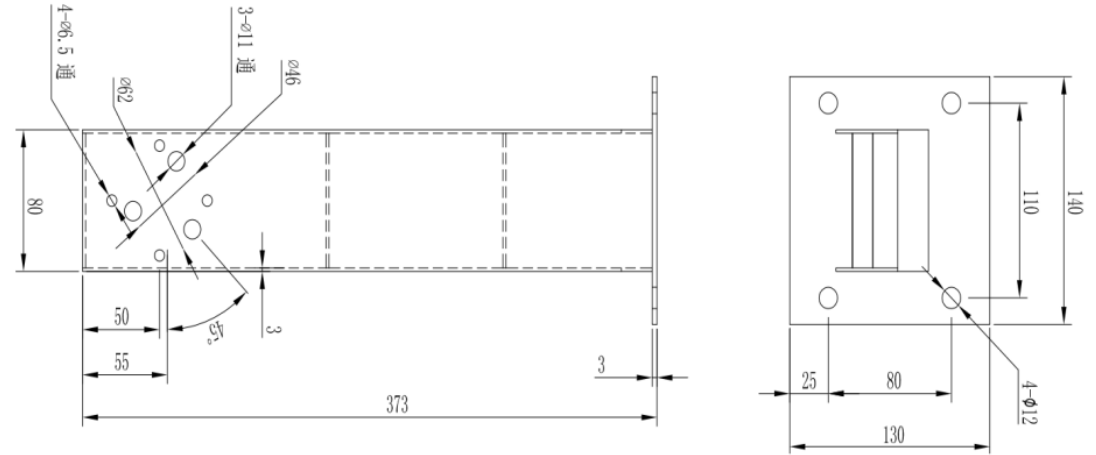


# DH-EXB109

Image:



Size:



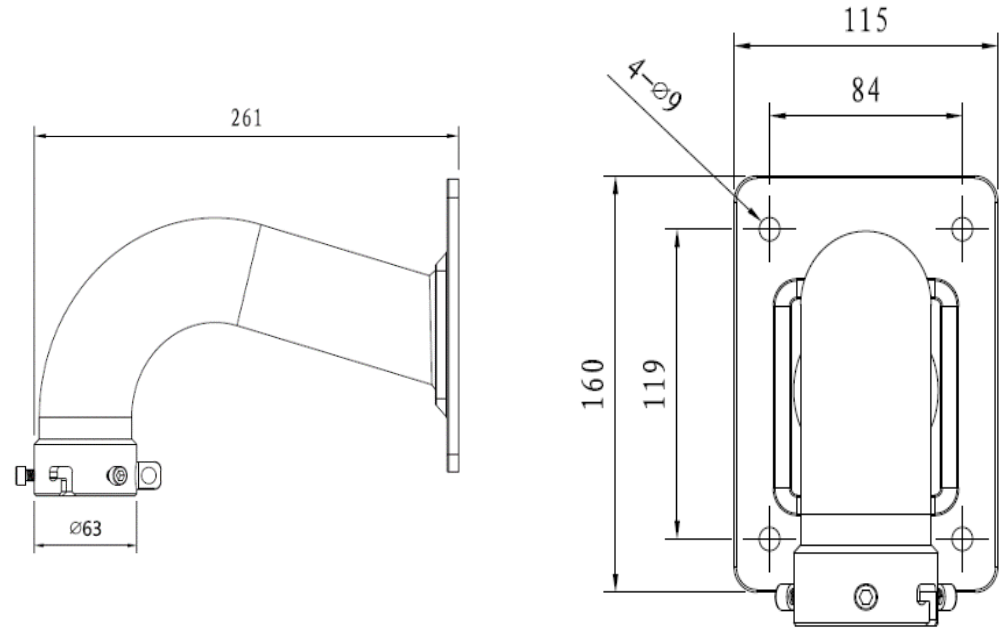
<b>Model</b>	<b>DH-EXB109</b>
<b>Wall mount bracket</b>	
<b>General</b>	<b>For DH-SDZW2030U-SL</b>
<b>Material</b>	<b>304</b>
<b>Product size</b>	<b>370mm×150mm×120mm</b>
<b>Package size</b>	<b>180mm×170mm×440mm (360mm×360mm×470mm 4pcs)</b>
<b>Weight</b>	<b>1.5kg</b>
<b>Load bearing</b>	<b>30KG</b>
<b>Installation</b>	<b>Wall Mount ,use it with DH-ZAZ100W</b>

# DH-PFB303W-SL

Image:



Size:



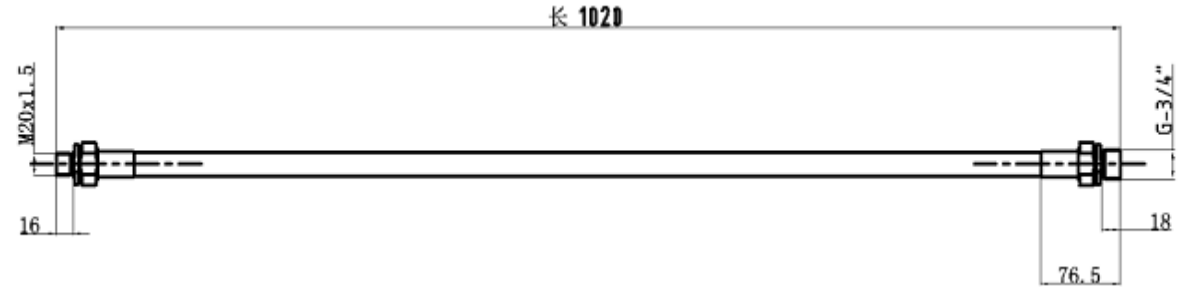
<b>Model</b>	<b>DH-PFB303W-SL</b>
	<b>Wall mount bracket</b>
<b>General</b>	<b>For SD60 anti-corrosion series PTZ camera</b>
<b>Material</b>	<b>316L</b>
<b>Product size</b>	<b>160mm×115mm×261mm</b>
<b>Weight</b>	<b>1.3kg(net weight)</b>
<b>Installation</b>	<b>Wall mount</b>
<b>Working condition</b>	<b>Temperature: -40~60°C; RH &lt; 95%</b>

# DH-HB1000

Image:



Size:



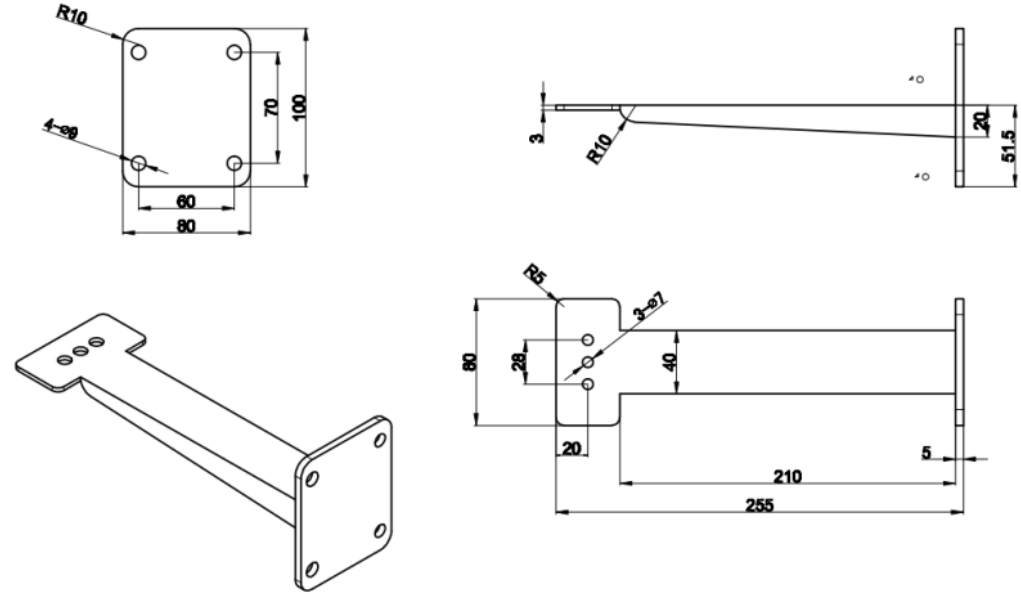
<b>Model</b>	<b>DH-HB1000</b>
	<b>Ex-proof flexible tube</b>
<b>General</b>	<b>For SDZW2000T-SL</b>
<b>Material</b>	<b>316L</b>
<b>Product size</b>	<b>1M</b>
<b>Package size</b>	<b>375mm×330mm×175mm</b>
<b>Weight</b>	<b>1kg(net weight)</b>
<b>Working condition</b>	<b>Temperature: -40~60°C; RH &lt; 95%</b>

# DH-PFB733W-SL

Image:



Size:



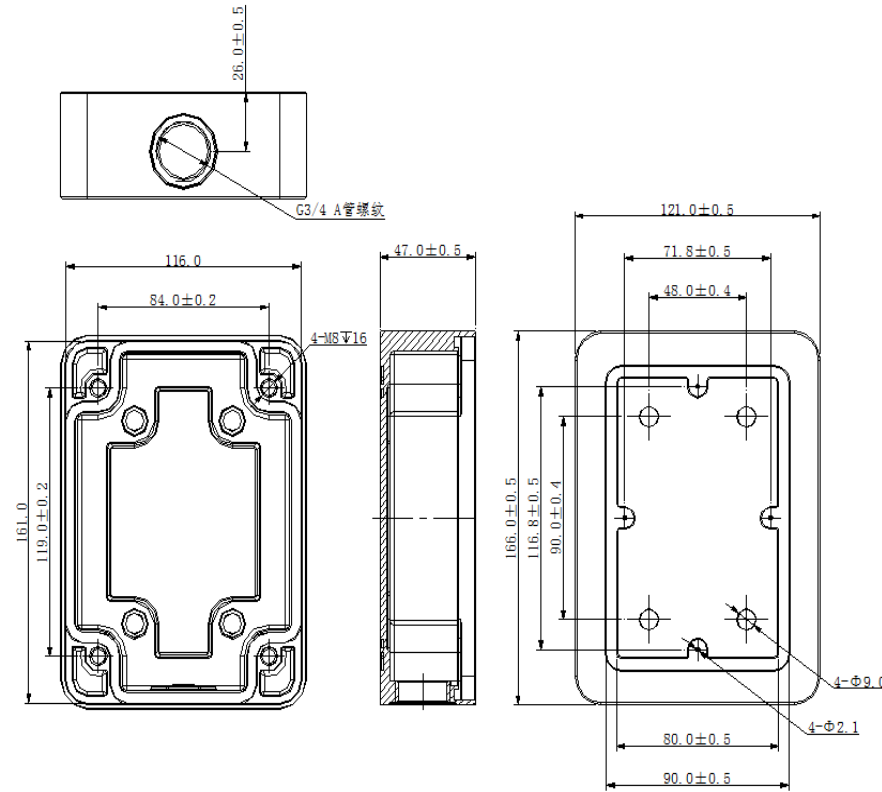
<b>Model</b>	<b>DH-PFB733W-SL</b>
<b>Wall mount bracket</b>	
<b>General</b>	<b>optional wall mount bracket for SDZW2000T-SL</b>
<b>Material</b>	<b>316L</b>
<b>Product size</b>	<b>255mm×80mm×100mm</b>
<b>Package size</b>	<b>375mm×330mm×175mm</b>
<b>Weight</b>	<b>0.7kg</b>
<b>Installation</b>	<b>Wall mount</b>
<b>Working condition</b>	<b>Temperature: -40~60°C; RH &lt; 95%</b>

# DH-PFA120-SL

Image:



Size:



<b>Model</b>	<b>DH-PFA120-SL</b>
	<b>316L Junction box</b>
<b>General</b>	<b>For SD60 anti-corrosion series PTZ camera</b>
<b>Material</b>	<b>316L</b>
<b>Product size</b>	<b>166mm×121mm×47mm</b>
<b>Package size</b>	<b>255mm×142mm×195mm</b>
<b>Weight</b>	<b>2.3kg</b>
<b>Installation</b>	<b>Use it with DH-PFB303W-SL , Wall mount</b>

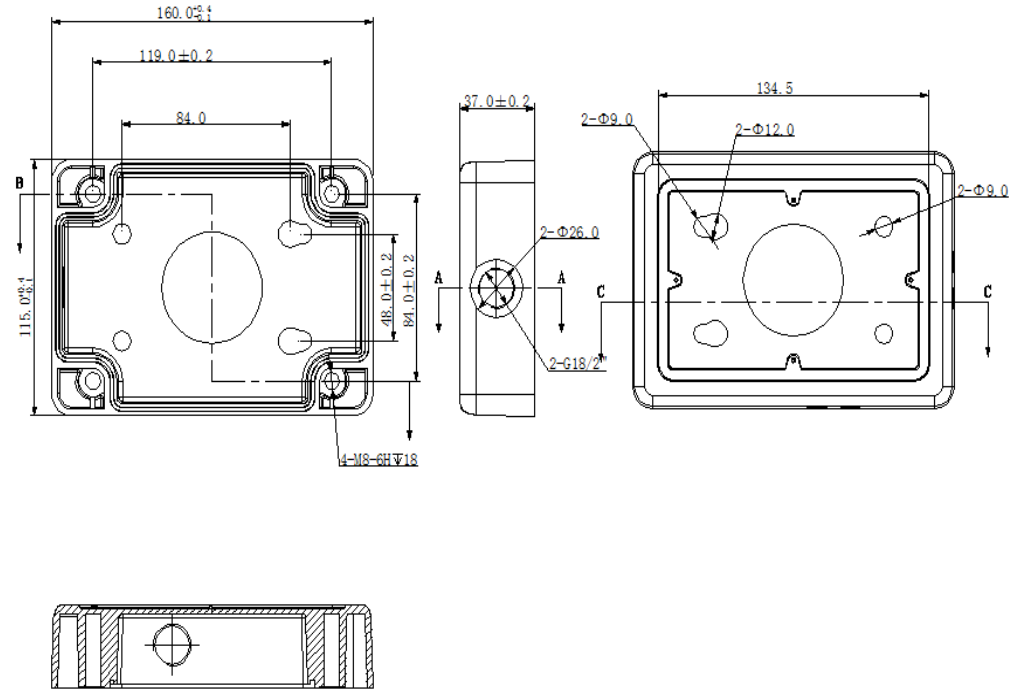
# Positioning system accessories

# DH-PFA120A

Image:



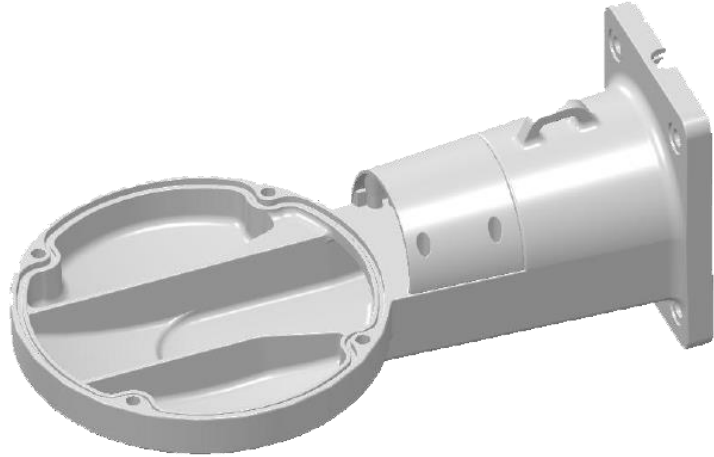
Size:



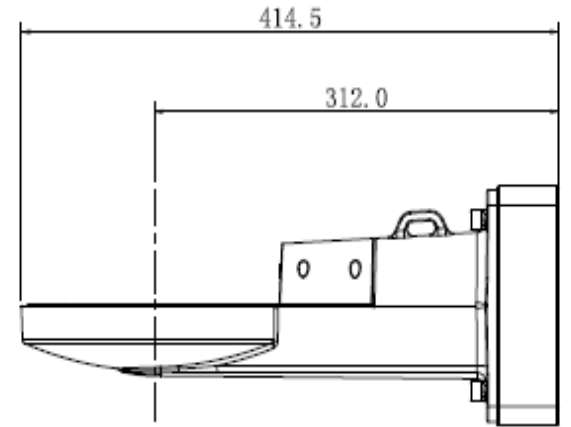
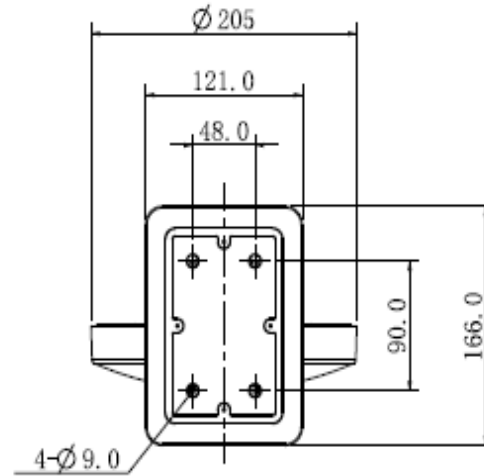
<b>Model</b>	<b>DH-PFA120A</b>
<b>Junction box</b>	
<b>General</b>	<b>For PTZ19/ PTZ1A series</b>
<b>Material</b>	<b>ADC12</b>
<b>Product size</b>	<b>160mm×115mm×37mm</b>
<b>Package size</b>	<b>177mm×177mm×52mm</b>
<b>Weight</b>	<b>0.6kg</b>
<b>Load bearing</b>	<b>8kg</b>
<b>Installation</b>	<b>Wall mount</b>

# PFB731W

Image:



Size:



<b>Model</b>	<b>PFB731W</b>
	<b>Wall mount bracket</b>
<b>General</b>	<b>For PTZ19 series</b>
<b>Material</b>	<b>ADC12</b>
<b>Product size</b>	<b>374.5mm×188mm×161mm</b>
<b>Package size</b>	<b>465mm×237mm×275mm</b>
<b>Weight</b>	<b>2.12kg</b>
<b>Load bearing</b>	<b>30kg</b>
<b>Installation</b>	<b>Wall mount</b>

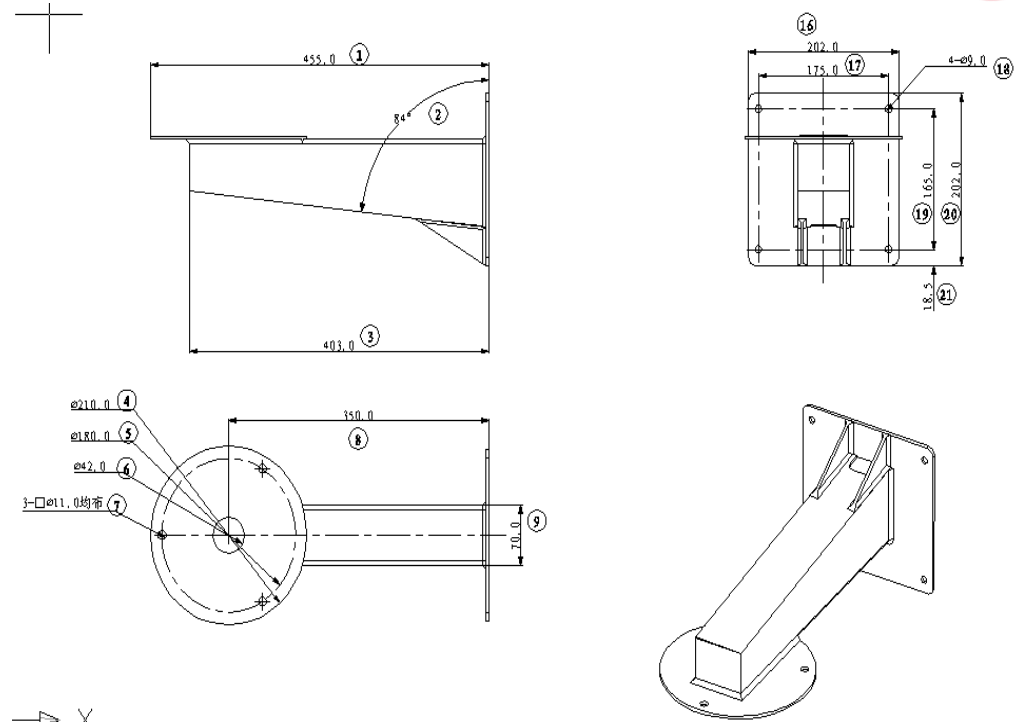


# PFB712W

Image:



Size:



<b>Model</b>	<b>PFB712W</b>
<b>Wall mount bracket</b>	
<b>General</b>	<b>For PTZ12 series</b>
<b>Material</b>	<b>ADC12</b>
<b>Product size</b>	<b>455mm×210mm×202mm</b>
<b>Package size</b>	<b>521mm×266mm×270mm</b>
<b>Weight</b>	<b>5kg</b>
<b>Load bearing</b>	<b>15kg</b>
<b>Installation</b>	<b>Wall mount</b>

