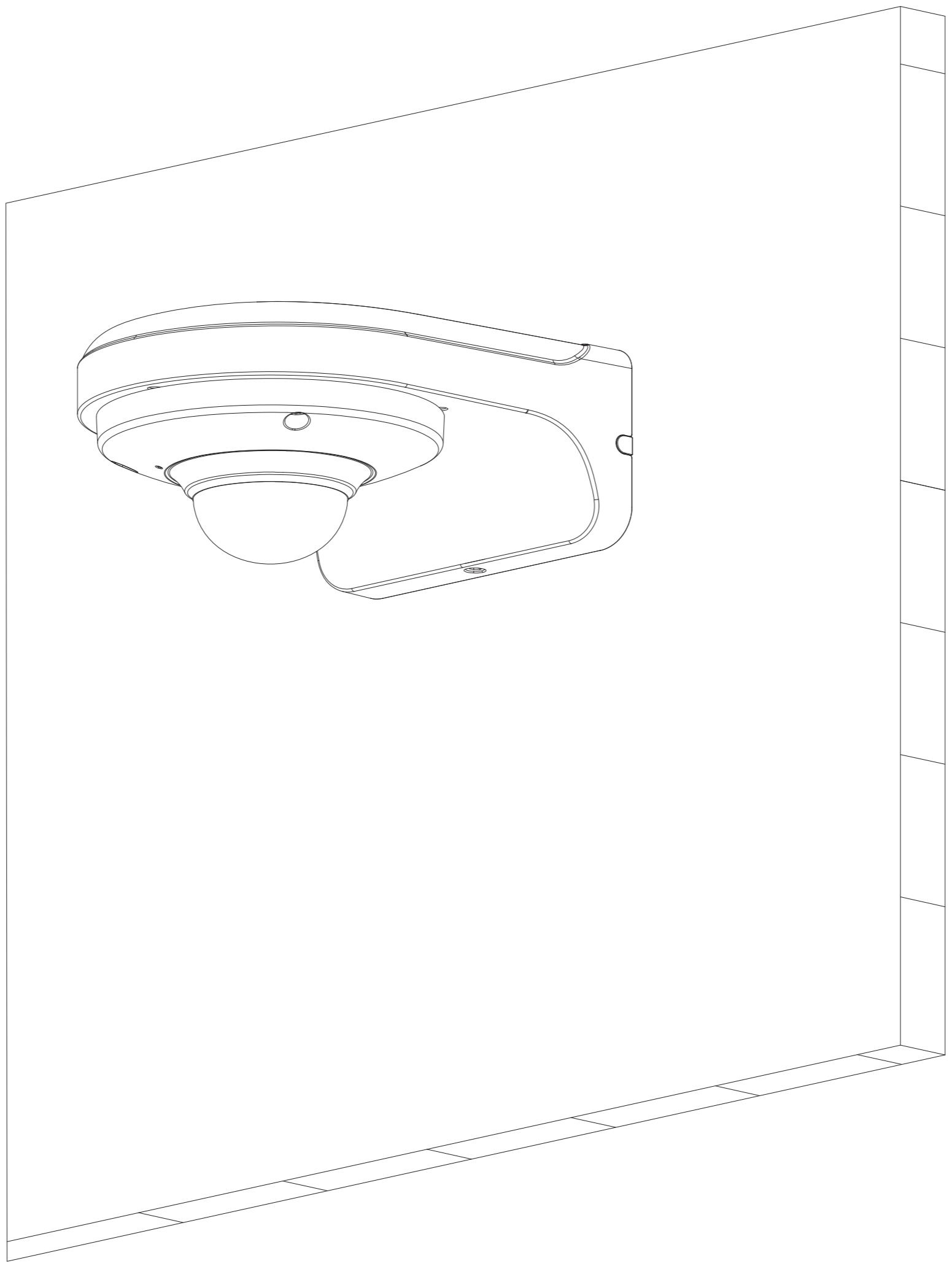
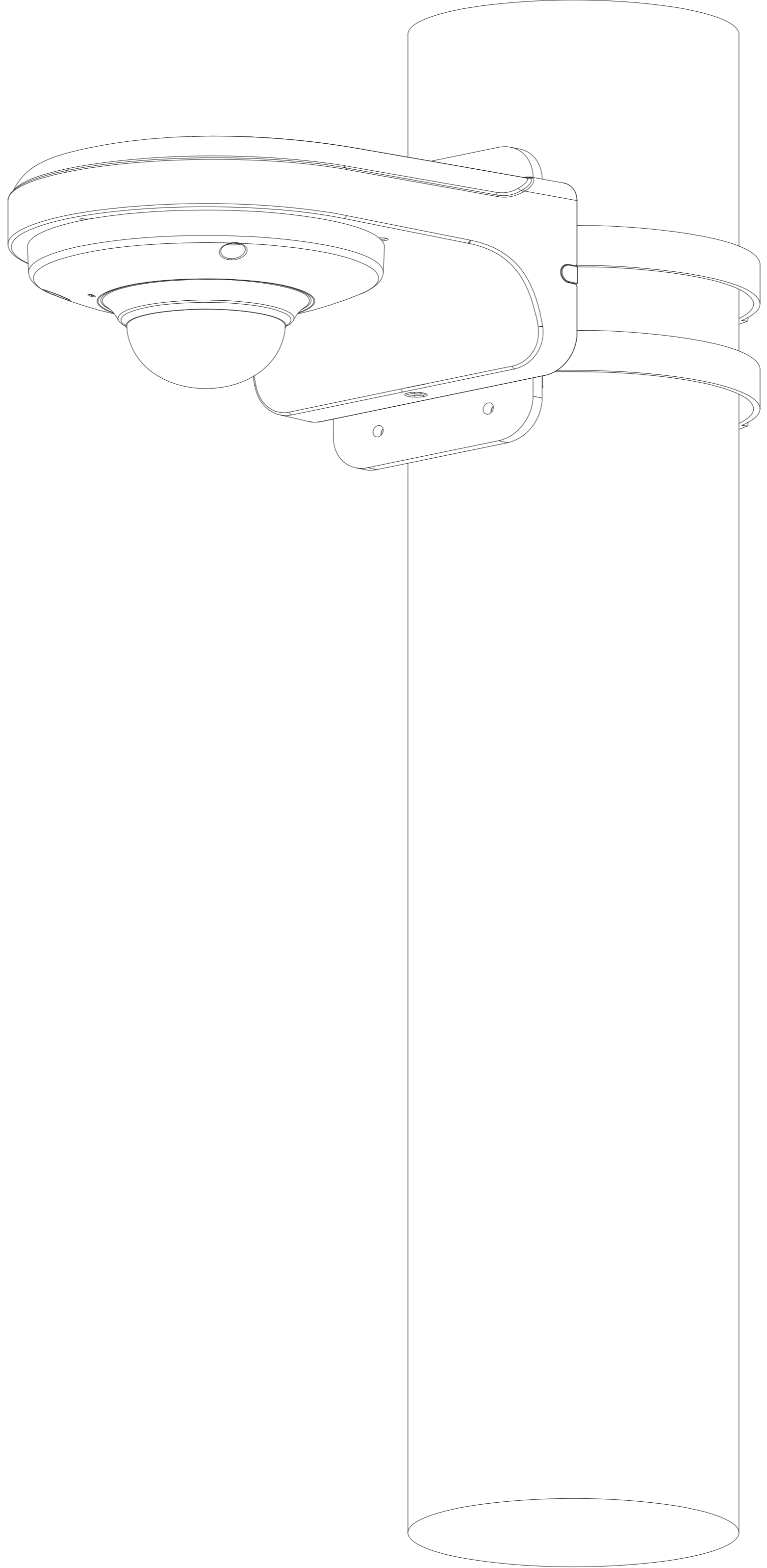


Junction Mount	Pole Mount
PFB203W	PFB203W + PFA152-E
 A line drawing showing a PFB203W camera mounted on a junction box. The camera is positioned on the front face of the box, which is shown in a perspective view. The camera has a lens and a mounting bracket.	 A line drawing showing a PFB203W camera mounted on a pole using the PFA152-E mounting bracket. The camera is attached to the bracket, which is secured to a vertical cylindrical pole. The camera is angled downwards.